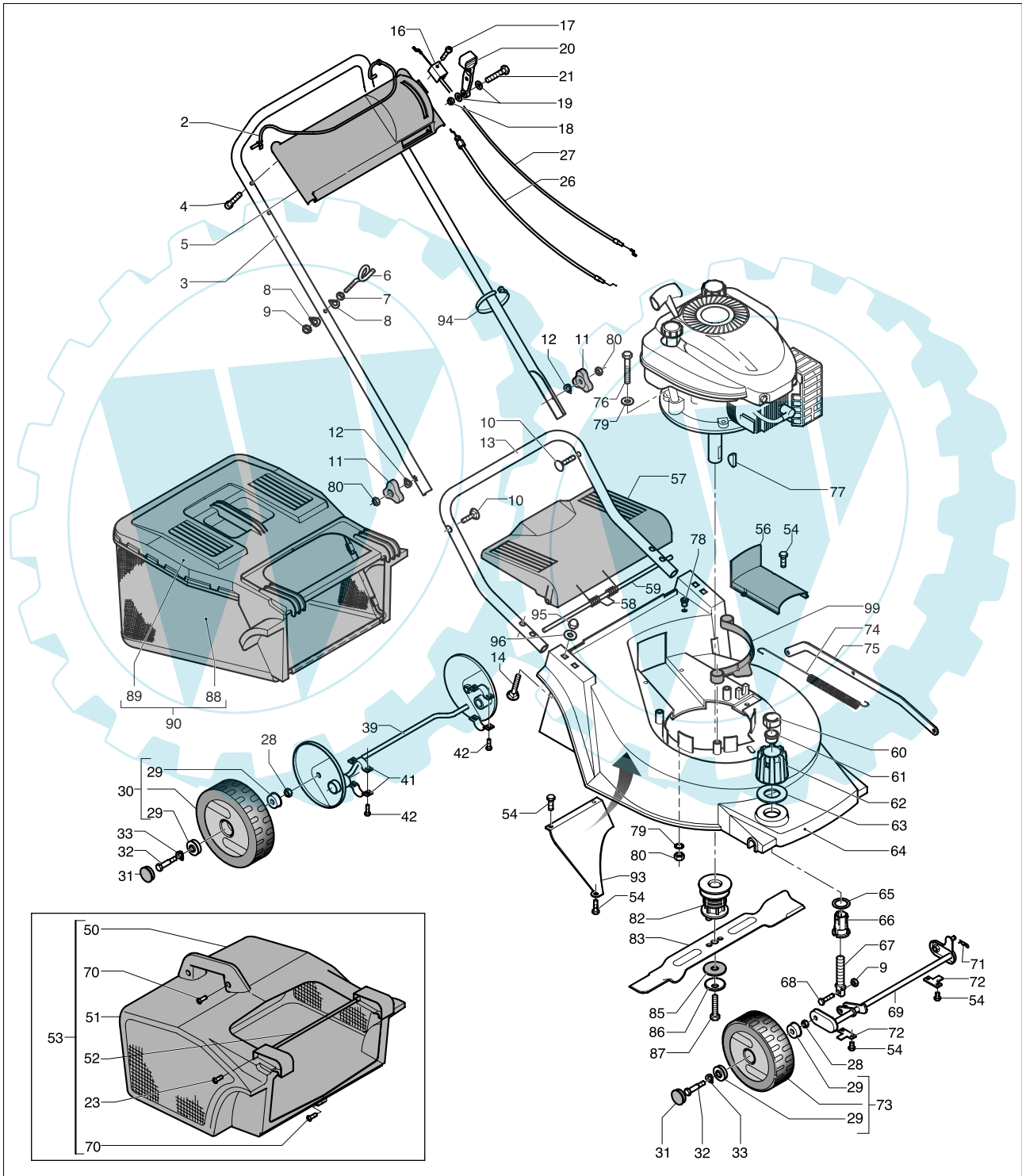


brand	MEP
-------	------------

date	JAN/02	SHEET 1/3
------	--------	-----------

Model	MP - ER 548

Product number	



The Electrolux Group. The world's No.1 choice.

Ihr Ersatzteilspezialist im Internet

brand	MEP
-------	------------

date	JAN/02	SHEET 2/3
------	--------	-----------

MP - ER 548

Pos.	PN ELX	PN MEP	DESCRIZIONE	DESCRIPTION	DESCRIPTION	Q.ty	NOTE
2	531205618	10135893	maniglia freno	lever	manette	1	
3	531205589	10135663	manico superiore	upper handle	guidon superieur	1	
4	531208844	20734900	vite	screw	vis	4	TCTC 4,3x16 FIX ZB
5	531205608	10135772	plancia comandi	dash-board	planche	1	ER
5	531205607	10135770	plancia comandi	dash-board	planche	1	MP
6	531205169	10121470	gancio	cable hook	crochet	1	
7	531207165	10501200	dado	nut	ecrou	1	M6 H6 UNI 5587-6S-ZB
8	531204961	10115900	rondella ondulata	washer	rondelle	2	6,5E
9	531208491	20281800	dado	nut	ecrou	2	M6 H8 UNI7473- ZB
10	531207089	10402401	vite	screw	vis	2	TTSQ M8x50 TF ZB
11	531204923	10114303	pomolo	knob	poignée	2	
12	531207090	10402402	rondella ondulata	washer	rondelle	2	8,5
13	531205496	10135113	manico inferiore	handle lowere	guidon inferieur	1	
14	531207842	10830800	vite	screw	vis	4	TTSQ M6x40 1/2F ZV
16	531208043	20121983	supporto cavo	bearing	support	1	
17	531208217	20135730	vite	screw	vis	1	TCTC 2F D 5x25
18	531208492	20282100	dado	nut	ecrou	1	M5 H7 UNI7473- ZB
19	531206666	10284700	rondella piana	washer	rondelle	2	5/15/1,5 ZB
20	531205139	10121263	leva acceleratore	lever	levier	1	
21	531207836	10830000	vite	screw	vis	1	TE M5x25 UNI 5739-8,8-ZB
23	531207937	10878000	vite	screw	vis	2	TCTC 3,9x16 mm 1100/80 TEC/HON
26	531206033	10146730	cavo acceleratore	accelerator cable	cable accelerateur	1	mm 1385/80 B&S
26	531207754	10800400	cavo acceleratore	accelerator cable	cable accelerateur	1	TECNA 1420/141,5 B&S
27	531205192	10121620	cavo freno	cable	cable	1	1097/148 HONDA
27	531205191	10121610	cavo freno	cable	cable	1	1130-152 HONDA
27	531205813	10140950	cavo freno	cable	cable	1	M10 H8 UNI 5588-6S ZB
28	531207978	20101700	dado	nut	ecrou	4	
29	531205214	10121900	cuscinetto ruota	ball-bearing	roulement	8	
30	531204461	09135294	ruota posteriore	posterior wheel	roue posterieur	2	D210/26 TAC
31	531204936	10114804	tappo ruota	plug	bouchon	4	
32	531205042	10120090	vite	screw	vis	4	
33	531206644	10275100	rosetta	washer	rondelle	4	UNI 8840- B12(13/24/0,8)
39	531205538	10135283	assale posteriore	rear axle	assieu arriere	1	
41	531206652	10281200	supporto superiore	bearing	support	4	
42	531207385	10602800	vite	screw	vis	4	TEFR 5x12
50	531208207	20135323	cestello sinistro	left side grass catcher	bac côte gauche	1	
51	531208203	20135313	cestello destro	right side grass catcher	bac côte droit	1	
52	531205547	10135330	tirante	tie rod	entretoise	1	D.8 x 330
53	531205545	10135303	cestello completo	grass catcher	bac complet	1	
54	531207856	10831800	vite	screw	vis	9	TEFR 5x10
56	531206290	10160083	carter cinghia	belt housing	carter de courroie	1	
57	531205486	10135072	paratoia	deflector	deflecteur	1	ER
57	531205485	10135071	paratoia	deflector	deflecteur	1	MP
58	531206180	10155190	molla paratoia	spring	ressort	1	



brand	MEP
-------	------------

date	JAN/02	SHEET 3/3
------	--------	-----------

MP - ER 548

Pos.	PN ELX	PN MEP	DESCRIZIONE	DESCRIPTION	DESCRIPTION	Q.ty	NOTE
59	531205493	10135080	tirante	tie rod	entretoise	1	
60	531205720	10140113	tappo	plug	bouchon	1	
61	531205724	10140137	bussola	bush	douille	1	
62	531205717	10140103	manopola	knob	poignée	1	
63	531205738	10140270	rondella	washer	rondelle	1	D.38,5x73x1
64	531206278	10160012	scocca	deck	chassis	1	ER
64	531206277	10160011	scocca	deck	chassis	1	MP
65	531205739	10140280	rondella	washer	rondelle	1	D.38,5x50x1
66	531205726	10140147	distanziale	spacer	entretoise	1	
67	531205723	10140127	vite	screw	vis	1	
68	531208425	20228705	vite	screw	vis	1	TE M6x35 UNI 5737-8,8-ZB
69	531206283	10160020	assale anteriore	front axle	assieu avant	1	
70	531208216	20135720	vite	screw	vis	3	TCTC 2F D.5x16 AC
71	531206653	10281400	copiglia	cotter pin	goupille	2	1,8 x 33
72	531205536	10135270	supporto ass.ant.	support	support	2	
73	531204371	O9120084	ruota anteriore	front wheel	roue anterieur	2	D170/26 TAC
74	531206287	10160040	molla asta	spring	ressort	1	
75	531206285	10160033	asta	rod	tige	1	
76	531206681	10291000	vite	screw	vis	3	TE M8x60 UNI 5737-8,8-ZB
77	531204907	10100900	chiavetta	key	clavette	1	4x6,5 UNI6606 WODRUF
78	531205153	10121353	tappo	plug	bouchon	1	
79	531207981	20106200	rondella dent.	washer	rondelle	6	D.8E DIN 6798
80	531207982	20106300	dado	nut	ecrou	5	M8 H8 UNI 5587-6S ZB
82	531207848	10831300	supporto lama	bearing blade	support lame	1	
83	531207796	10825100	lama	blade	lame	1	
85	531207243	10531700	rondella friz.	washer	rondelle	1	17,2x50x1,5+0,1
86	531207237	10530900	rondella elastica	washer	rondelle	1	11x50x2,5
87	531206649	10280901	vite lama	screw	vis	1	D.3/8"UNFX65 (8.8)
88	531208259	20140373	sacco nero	sac	sac	1	
89	531205763	10140393	coper.sacco /telaio	sack frame upper	cadre sac superieur	1	
90	531204522	O9140413	sacco completo	grass catcher	sac complete	1	
93	531205469	10135050	convogliatore	deflector	deflecteur	1	
94	531205581	10135600	fascetta	clamp	colier	1	160X4,5
95	531206305	10160240	dado	nut	ecrou	4	M6 - DIM986-ZB- C.N
96	531206306	10160250	rondella piana	washer	rondelle	4	D.6/14/1,5 ZB
99	531206308	10160273	coperchio	cover	couvercle	1	

